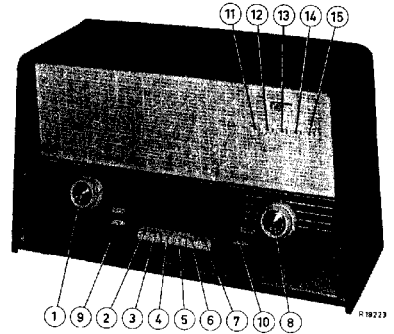


## notes

B5X92A - 00-03



### Luidsprekers - Hautparleurs

AD 3690 AM + AD 3500 E

### M.F.

A.M. 452 kc/s  
F.M. 10.7 Mc/s

### Netspanningen - Tensions de réseau

110-127-145-165-220-245 V.

### Afmetingen - Dimensions

540 x 325 x 219 mm

### Schaallampjes - Lampes d'éclairage

2 x 8024N/778

### F.M. eenheid - Unité F.M.

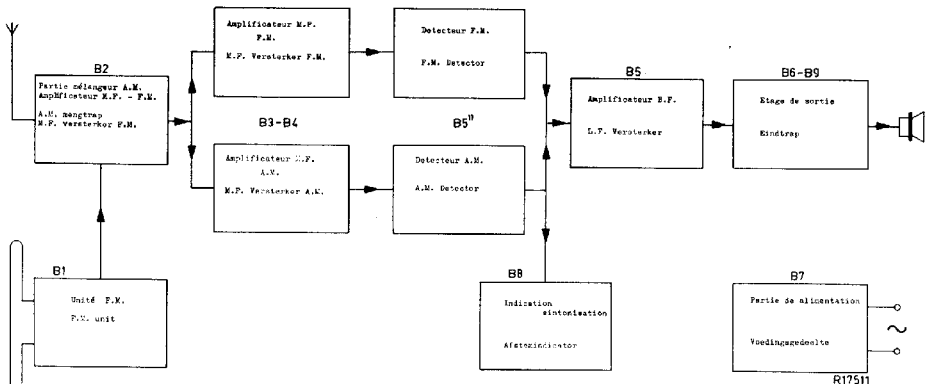
A3 768 85

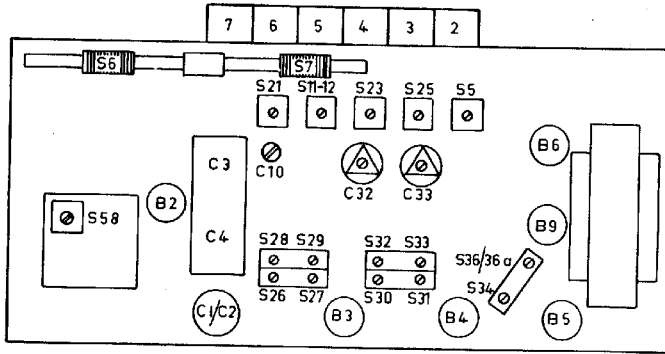
### Buizen - Tubes

B1 - ECC 85	B6 - EL 84
B2 - ECH 81	B7 - EZ 80
B3 - EF 89	B8 - EM 84
B4 - EF 85	B9 - EL 86
B5 - EABC80	

### Bedieningsorganen - Organes de commande

1. Volumeregelaar - Régulateur d'intensité
2. Netschakelaar - Interrupteur de réseau
3. P.U.
4. L.G. - C.O. 1150 - 2000 m (260 - 150 kc/s)
5. M.G. - P.O. 185 - 580 m (1620 - 517 kc/s)
6. K.G. - O.C. 24.3 - 51.7 m (12.3 - 5.8 Mc/s)
7. F.M. - P.M. 3.43 - 3 m (87.5 - 100 Mc/s)
8. Afstemming - Syntonisation
9. Lage toonregelaar - Régulateur des graves
10. Hoge toonregelaar - Régulateur de sons aigus
11. Draadomroep - Radio distr.
12. Magnetofoon - Magnetophone
13. Galm-effect - Réverbération
14. Fidelité
15. Parola





R 18546

	Druktoets	Trimpunt	Signaal	Afregelen	Aanwijzing
	Touche poussoire	Point de réglage	Signal	Régler	Indication
M.F. - M.F. (A.M.)	5	1	452 kc/s via 33.000 pF g1B2	S33, S32, S28 S29, S32	Max.output
		3	452 kc/s	S11, S12	Min.output
H.F. kringen (A.M.)	5	3	610 kc/s	S25, S6	Max.output
		2	1500 kc/s	C33, C10	
Circuits H.F. (A.M.)	4	3	169,5 kc/s	C19, S7	Max.output
		6	3	6,38 Mc/s	S23, S5
M.F. - M.F. (P.M.)	7	87,5 Mc/s	10,7 Mc/s via 1500 pF g1B4	S34 S36, S36a *	Max.(D.V.) O.V.(D.V.)
			10,7 Mc/s via 1500 pF g1B3	S30, S31 **	Max.(D.V.)
			10,7 Mc/s via 1500 pF g1B2	S26, S27	Max.(D.V.)
			10,7 Mc/s $\downarrow$ $\frac{1}{2}$	S58, S21	Max.(D.V.)
H.F. kringen (P.M.) Circuits H.F. (P.M.)	7	87,5 Mc/s	87,5 Mc/s $\downarrow$ $\frac{1}{2}$	S55, S56 S57	Max.(D.V.)
		100 Mc/s	100 Mc/s $\downarrow$ $\frac{1}{2}$	C86 C89	Max.(D.V.)

\* Sluit parallel aan C56 twee in serie geschakelde weerstanden van 270 k $\Omega$  (1%).  
Sluit de D.V. aan tussen het knooppunt van deze weerstanden en het knooppunt C52, R22.

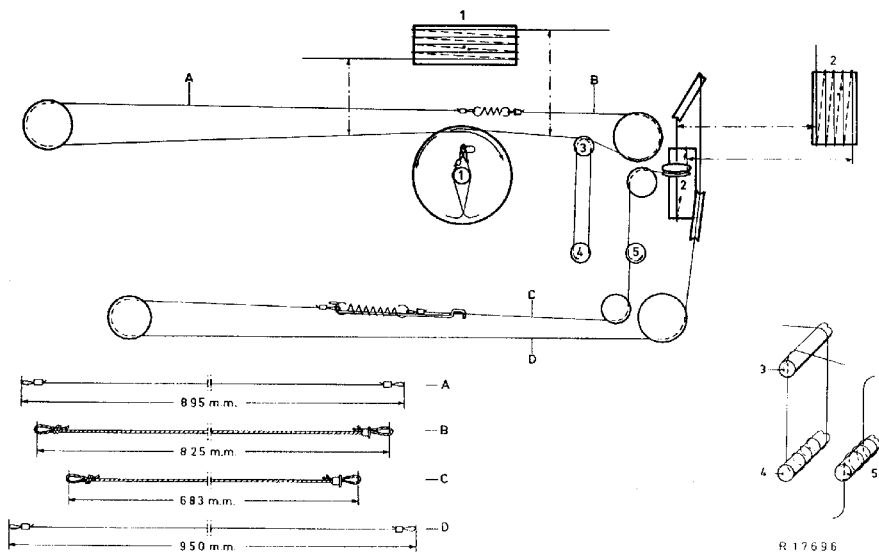
\*\* Connecter en parallèle à C56 deux résistances connectées en série de 270 k $\Omega$  (1%).  
Connecter le voltmètre entre le noeud de ces résistances et le noeud C52, R22.

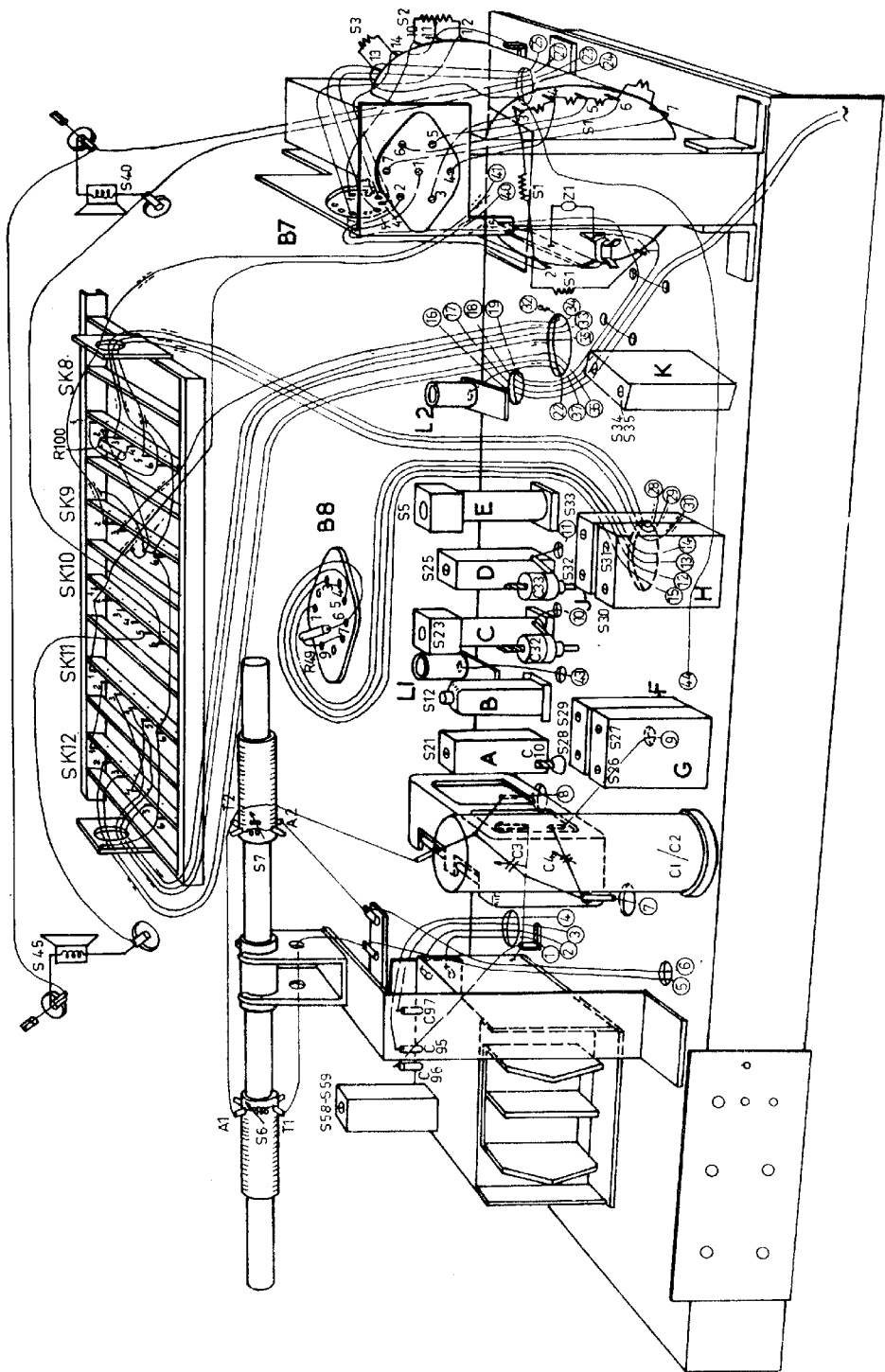
\*\* Verwijder de weerstanden van 270 k $\Omega$  en sluit de D.V. weer aan over R23.

\*\* Enlever les résistances de 270 k $\Omega$  et connecter le voltmètre à diode à nouveau sur R23.

Kast (00) Kast (03) Knop (1-8) Veer, in knop Knop (9-10) Sierraam Contrasteker, extra luidspreker Plaat, spanningsomschakelaar Knop, spanningsomschakelaar Aandrijftrommel F.M. Variabele condensator A.M. Variabele condensator F.M. Druktoets (2-7) Druktoets (11-15)  Contactenschuif (14-15) Contactenschuif (11-13) Schuifcontact (11-15) Contactenstrip (11-15) Contactlip (11-15) Venster EM 84 Sierplaat, om Druktoetsen (11-15)	Meuble (00) Meuble (03) Bouton (1-8) Ressort, dans bouton Bouton (9-10) Tenêtre ornamentale Fiche femelle, hautparleur suppl. Plaquette, carrousel de tension Bouton, carrousel de tension Tambour, pour cond. var. F.M. Condensateur variable A.M. Condensateur variable F.M. Touche poussoire (2-7) Touche poussoire (11-15)  Tiroir (14-15) Tiroir (11-13) Contact pour tiroir (11-15) Plaquette, fixe (11-15) Contact pour plaquette (11-15) Fenêtre EM84 Enjoliveur de touches (11-15)	A3 007 11 A3 007 87 A3 782 52 994/04 P4 077 65/417 P5 350 46/159 A3 410 65 A3 228 39 A3 228 85 P4 382 07/799 49 001 98 49 002 23 P5 420 26/139/FC P5 420 23/139/KZ  A3 666 28 A3 666 55 971/77 A3 666 12 A3 665 27 A3 830 04 A3 918 82
---	--	---

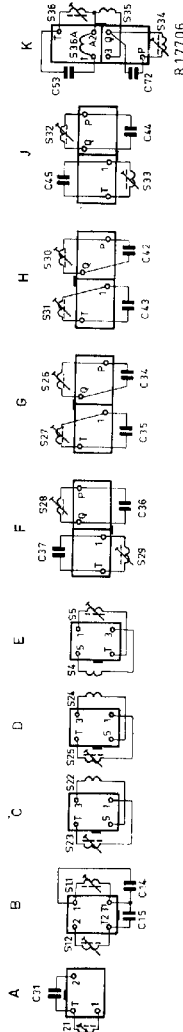
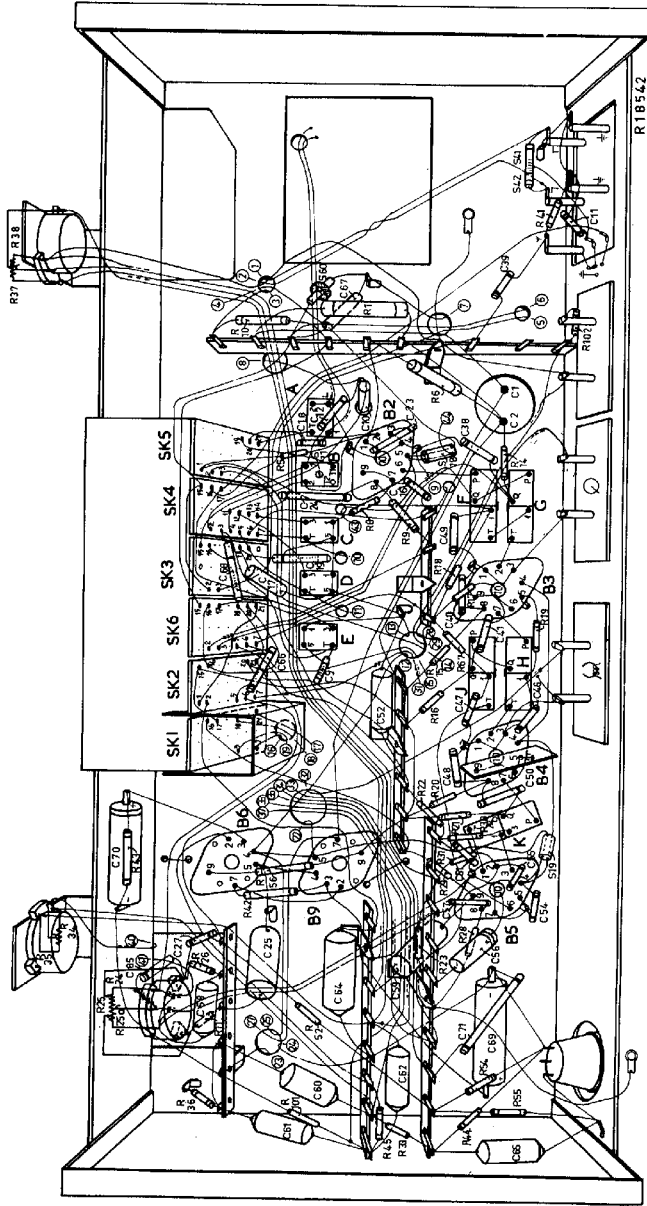
S1 } S2 } A3 142 84 S3 } Z1 }  S4 } 921/24-52m S5 } S6 } S7 } 922/03 S11 } S12 } C14 } A3 119 70 C15 } S21 } A3 127 83 C31 }	S24 } S25 } A3 125 99 S26 } S27 } C34 } 926/10,7 C35 } S28 } S29 } 925/452 C36 } C37 }  S30 } S31 } 926/10,7 C42 } C43 }	S34 } S35 } S36 } 926/10,7 RD S36a } C53 } C72 }  S41 } WE 110 61 S42 }  S60 } A3 803 61  R1 } 927/K1K2 R10 } E 001 AG/A3K3 R14 } E 001 AD/A2K2 R16 } E 001 AD/A2K2 R21 } E 001 AD/A2K2	R24 } R25 } B1 639 53 R25a )  R34 } 916/GL400K+1M6 R35 }  R37 } 916/GL50K+450K R38 }  R42 } E 001 AG/A470E R43 } E 001 AK/A220E R56 } E 001 AG/A2K2 C1 } 912/P50+50 C2 } C56 } 909/E10 C69 } 911/L8 C70 } 909/B100
--	--	---	---





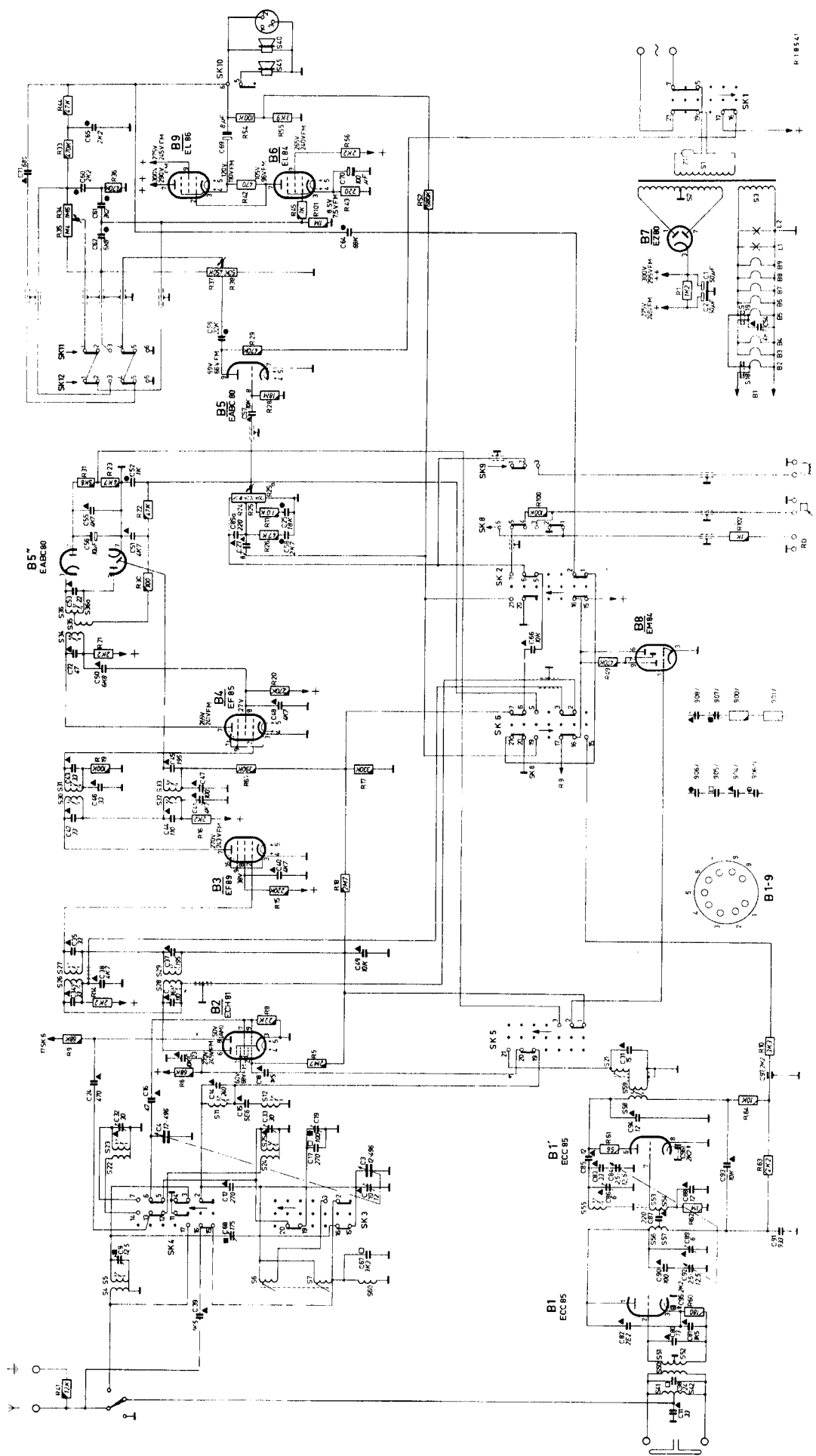
R18543

S	C	R	19.	K.	J.	H.	E.	D.	C.	F.	G.	B.	A.	60.	47.	41.																																									
56	61	60	62	65	71	85	58	64	25	59	55	27	57	54	55	70	50	48	47	46	52	56	5	43	40	17	68	19	45	24	16	39	18	23	12	2	10	1.	67	39	11	15	67	13	17	18	9	8	14	5	6	102	30	1	37	39	41



B5X92A-00-03

5	4.42	54V152	64.14.53	51.54.56.59	73.73.75	81.82.83	87.88	91.92	93.94	95.96	97.98	99.100	101.102	103.104	105.106	107.108	109.110	111.112	113.114	115.116	117.118	119.120	121.122	123.124	125.126	127.128	129.130	131.132	133.134	135.136	137.138	139.140	141.142	143.144	145.146	147.148	149.150	151.152	153.154	155.156	157.158	159.160	161.162	163.164	165.166	167.168	169.170	171.172	173.174	175.176	177.178	179.180	181.182	183.184	185.186	187.188	189.190	191.192	193.194	195.196	197.198	199.200	201.202	203.204	205.206	207.208	209.210	211.212	213.214	215.216	217.218	219.220	221.222	223.224	225.226	227.228	229.230	231.232	233.234	235.236	237.238	239.240	241.242	243.244	245.246	247.248	249.250	251.252	253.254	255.256	257.258	259.260	261.262	263.264	265.266	267.268	269.270	271.272	273.274	275.276	277.278	279.280	281.282	283.284	285.286	287.288	289.290	291.292	293.294	295.296	297.298	299.300	301.302	303.304	305.306	307.308	309.310	311.312	313.314	315.316	317.318	319.320	321.322	323.324	325.326	327.328	329.330	331.332	333.334	335.336	337.338	339.340	341.342	343.344	345.346	347.348	349.350	351.352	353.354	355.356	357.358	359.360	361.362	363.364	365.366	367.368	369.370	371.372	373.374	375.376	377.378	379.380	381.382	383.384	385.386	387.388	389.390	391.392	393.394	395.396	397.398	399.400	401.402	403.404	405.406	407.408	409.410	411.412	413.414	415.416	417.418	419.420	421.422	423.424	425.426	427.428	429.430	431.432	433.434	435.436	437.438	439.440	441.442	443.444	445.446	447.448	449.450	451.452	453.454	455.456	457.458	459.460	461.462	463.464	465.466	467.468	469.470	471.472	473.474	475.476	477.478	479.480	481.482	483.484	485.486	487.488	489.490	491.492	493.494	495.496	497.498	499.500	501.502	503.504	505.506	507.508	509.510	511.512	513.514	515.516	517.518	519.520	521.522	523.524	525.526	527.528	529.530	531.532	533.534	535.536	537.538	539.540	541.542	543.544	545.546	547.548	549.550	551.552	553.554	555.556	557.558	559.560	561.562	563.564	565.566	567.568	569.570	571.572	573.574	575.576	577.578	579.580	581.582	583.584	585.586	587.588	589.590	591.592	593.594	595.596	597.598	599.600	601.602	603.604	605.606	607.608	609.610	611.612	613.614	615.616	617.618	619.620	621.622	623.624	625.626	627.628	629.630	631.632	633.634	635.636	637.638	639.640	641.642	643.644	645.646	647.648	649.650	651.652	653.654	655.656	657.658	659.660	661.662	663.664	665.666	667.668	669.670	671.672	673.674	675.676	677.678	679.680	681.682	683.684	685.686	687.688	689.690	691.692	693.694	695.696	697.698	699.700	701.702	703.704	705.706	707.708	709.710	711.712	713.714	715.716	717.718	719.720	721.722	723.724	725.726	727.728	729.730	731.732	733.734	735.736	737.738	739.740	741.742	743.744	745.746	747.748	749.750	751.752	753.754	755.756	757.758	759.760	761.762	763.764	765.766	767.768	769.770	771.772	773.774	775.776	777.778	779.780	781.782	783.784	785.786	787.788	789.790	791.792	793.794	795.796	797.798	799.800	801.802	803.804	805.806	807.808	809.810	811.812	813.814	815.816	817.818	819.820	821.822	823.824	825.826	827.828	829.830	831.832	833.834	835.836	837.838	839.840	841.842	843.844	845.846	847.848	849.850	851.852	853.854	855.856	857.858	859.860	861.862	863.864	865.866	867.868	869.870	871.872	873.874	875.876	877.878	879.880	881.882	883.884	885.886	887.888	889.890	891.892	893.894	895.896	897.898	899.900	901.902	903.904	905.906	907.908	909.910	911.912	913.914	915.916	917.918	919.920	921.922	923.924	925.926	927.928	929.930	931.932	933.934	935.936	937.938	939.940	941.942	943.944	945.946	947.948	949.950	951.952	953.954	955.956	957.958	959.960	961.962	963.964	965.966	967.968	969.970	971.972	973.974	975.976	977.978	979.980	981.982	983.984	985.986	987.988	989.990	991.992	993.994	995.996	997.998	999.1000
---	------	--------	----------	-------------	----------	----------	-------	-------	-------	-------	-------	--------	---------	---------	---------	---------	---------	---------	---------	---------	---------	---------	---------	---------	---------	---------	---------	---------	---------	---------	---------	---------	---------	---------	---------	---------	---------	---------	---------	---------	---------	---------	---------	---------	---------	---------	---------	---------	---------	---------	---------	---------	---------	---------	---------	---------	---------	---------	---------	---------	---------	---------	---------	---------	---------	---------	---------	---------	---------	---------	---------	---------	---------	---------	---------	---------	---------	---------	---------	---------	---------	---------	---------	---------	---------	---------	---------	---------	---------	---------	---------	---------	---------	---------	---------	---------	---------	---------	---------	---------	---------	---------	---------	---------	---------	---------	---------	---------	---------	---------	---------	---------	---------	---------	---------	---------	---------	---------	---------	---------	---------	---------	---------	---------	---------	---------	---------	---------	---------	---------	---------	---------	---------	---------	---------	---------	---------	---------	---------	---------	---------	---------	---------	---------	---------	---------	---------	---------	---------	---------	---------	---------	---------	---------	---------	---------	---------	---------	---------	---------	---------	---------	---------	---------	---------	---------	---------	---------	---------	---------	---------	---------	---------	---------	---------	---------	---------	---------	---------	---------	---------	---------	---------	---------	---------	---------	---------	---------	---------	---------	---------	---------	---------	---------	---------	---------	---------	---------	---------	---------	---------	---------	---------	---------	---------	---------	---------	---------	---------	---------	---------	---------	---------	---------	---------	---------	---------	---------	---------	---------	---------	---------	---------	---------	---------	---------	---------	---------	---------	---------	---------	---------	---------	---------	---------	---------	---------	---------	---------	---------	---------	---------	---------	---------	---------	---------	---------	---------	---------	---------	---------	---------	---------	---------	---------	---------	---------	---------	---------	---------	---------	---------	---------	---------	---------	---------	---------	---------	---------	---------	---------	---------	---------	---------	---------	---------	---------	---------	---------	---------	---------	---------	---------	---------	---------	---------	---------	---------	---------	---------	---------	---------	---------	---------	---------	---------	---------	---------	---------	---------	---------	---------	---------	---------	---------	---------	---------	---------	---------	---------	---------	---------	---------	---------	---------	---------	---------	---------	---------	---------	---------	---------	---------	---------	---------	---------	---------	---------	---------	---------	---------	---------	---------	---------	---------	---------	---------	---------	---------	---------	---------	---------	---------	---------	---------	---------	---------	---------	---------	---------	---------	---------	---------	---------	---------	---------	---------	---------	---------	---------	---------	---------	---------	---------	---------	---------	---------	---------	---------	---------	---------	---------	---------	---------	---------	---------	---------	---------	---------	---------	---------	---------	---------	---------	---------	---------	---------	---------	---------	---------	---------	---------	---------	---------	---------	---------	---------	---------	---------	---------	---------	---------	---------	---------	---------	---------	---------	---------	---------	---------	---------	---------	---------	---------	---------	---------	---------	---------	---------	---------	---------	---------	---------	---------	---------	---------	---------	---------	---------	---------	---------	---------	---------	---------	---------	---------	---------	---------	---------	---------	---------	---------	---------	---------	---------	---------	---------	---------	---------	---------	---------	---------	---------	---------	---------	---------	---------	---------	---------	---------	---------	----------

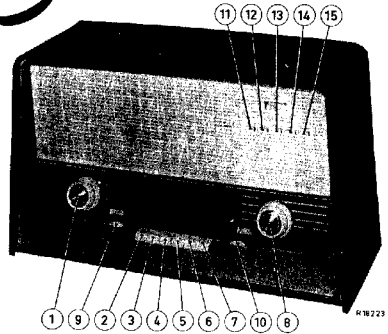


R-18844

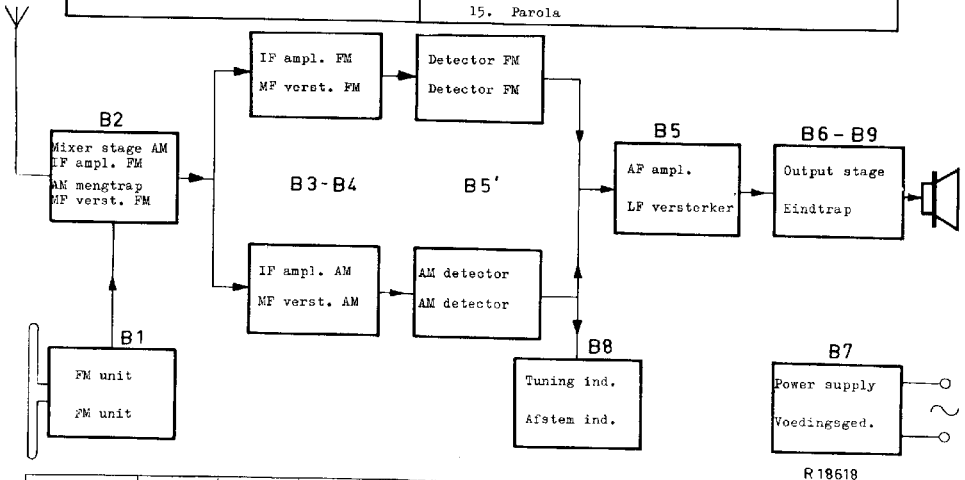
# PHILIPS *Service*

## RADIO

### B5X 92A-32



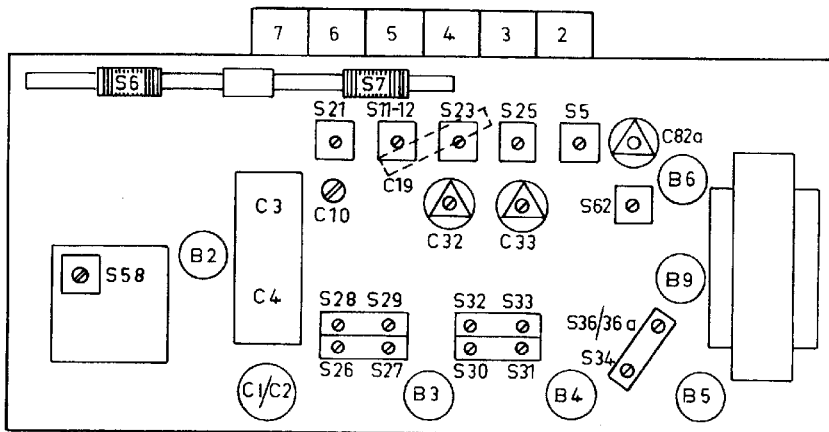
<p><b>Loudspeaker - Luidspreker</b> AD 3690 AM + AD 3500 AE</p> <p><b>I.F. - M.F.</b> A.M. : 452 kc/s F.M. : 10.7 Mc/s</p> <p><b>Mains voltages - Netspanningen</b> 110 - 127 -145 - 165 - 220 - 245 V</p> <p><b>Dimensions - Afmetingen</b> 540 x 325 x 219 mm</p> <p><b>Dial lamps - Scheallampjes</b> 2x 8024 N/71</p> <p><b>F.M. unit - F.M. Tuner</b> A3 768 85</p>	<p><b>Controls - Bedieningsorganen</b></p> <ol style="list-style-type: none"> <li>1. Volume control - Volumeregelaar</li> <li>2. Mains switch - Uit-schakelaar</li> <li>3. P.U. Switch - P.U. schakelaar</li> <li>4. L.W. - L.G.: 1150 - 2000 m ( 150 - 260 kc/s )</li> <li>5. M.W. - M.G.: 185 - 580 m ( 519 - 1620 kc/s )</li> <li>6. S.W.2- K.G.2: 24.3 - 51.7 m ( 5.8 - 12.3 Mc/s )</li> <li>3+5 S.W.3- K.G.3: 78.9 - 184 m ( 1.63 - 3.8 Mc/s )</li> <li>7. F.M. - F.M.: 5.43 - 3 m ( 87.5 - 100 Mc/s )</li> <li>8. Tuning - Afstemming</li> <li>9.) Tone control - Toonregeling</li> <li>10.)</li> <li>11. Extension loudspeaker - Extra luidspreker</li> <li>12. Tape rec.</li> <li>13. Reverberation - Galm effect</li> <li>14. Fidelit�</li> <li>15. Parola</li> </ol>
--	--



SERVICE INFORMATION															

Copyright Central Service Division N.V. PHILIPS' GLOEILAMPENFABRIEKEN, Eindhoven

Confidential information for Philips Service Dealers



R18645

	Push Button	Trimming point	Signal	Trim	Indication
	Druktoets	Trimpunt	Signaal	Afregelen	Aanwijzing
I.F. - M.F. (AM)	5	1	452 kc/s via 33000 pF glB2	S33, S32, S28 S29, S32	Max. output
		3	452 kc/s	S11, S12, S11	Min. output
R.F. circuits (AM)	4	3	169.5 kc/s	C19, S7	Max. output
		5	610 kc/s	S25, S6	Max. output
		2	1500 kc/s	C33, C10	
H.F. Kringen (AM)	6	3	6.38 Mc/s	S23, S5	Max. output
		2	11.73 Mc/s	C32	
	3+5	*	1.791 Mc/s	S62	Max. output
*		3.58 Mc/s	C82a		
I.F. - M.F. (FM)	7	87.5 Mc/s	10.7 Mc/s via 1500 pF glB4	S34	Max. (D.V.)
			10.7 Mc/s via 1500 pF glB3	S30, S31 ***	O.V. (D.V.)
			10.7 Mc/s via 1500 pF glB2	S26, S27	Max. (D.V.)
			10.7 Mc/s $\downarrow$ $\perp$	S58, S21	Max. (D.V.)
R.F. Circuits (FM)	7	87.5 Mc/s	87.5 Mc/s $\downarrow$ $\perp$	S55, S56 S57	Max. (D.V.)
H.F. Kringen (FM)		100 Mc/s	100 Mc/s $\downarrow$ $\perp$	C86, C89	Max. (D.V.)

\* Tune the receiver

\* Apparaat afstemmen

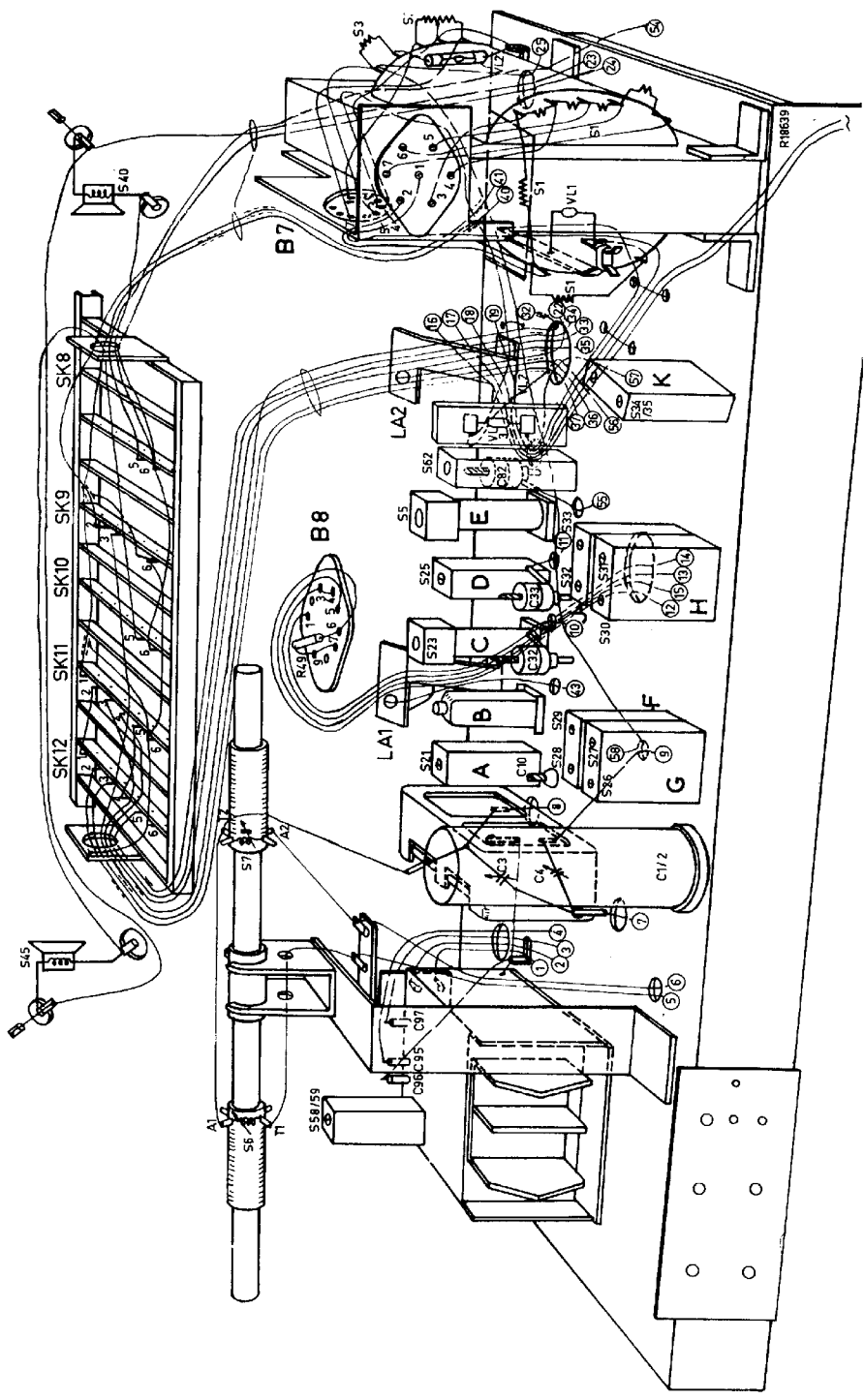
\*\* Connect two resistors of 0.22 M $\Omega$  (1%) in series across C56. Connect the diodevoltmeter (D.V.) between the junction of the two resistors, and the junction C52, R22.

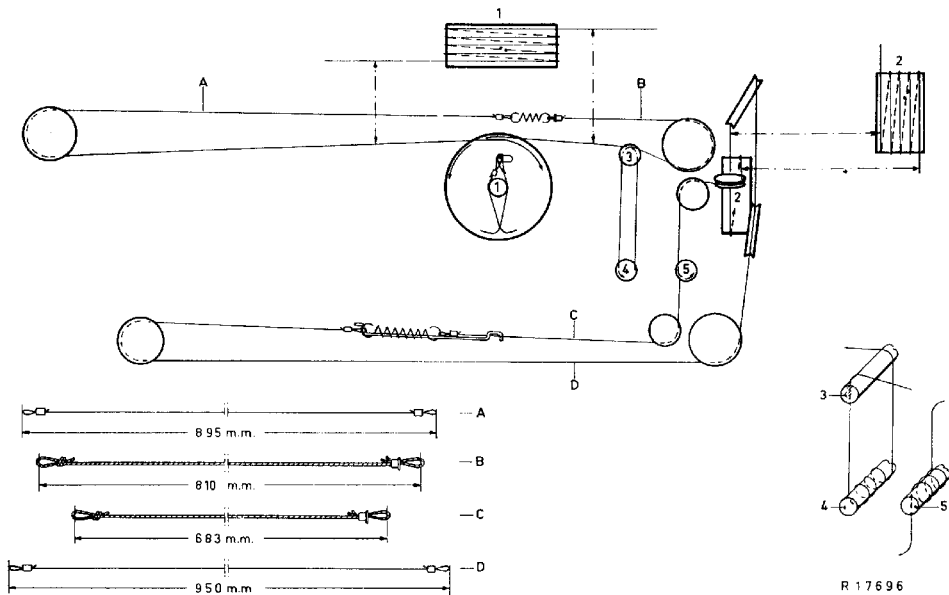
\*\* Sluit parallel aan C56 twee in serie geschakelde weerstanden van 0.22 M $\Omega$  (1%). Sluit de (D.V.) aan tussen het knooppunt van deze weerstanden en het knooppunt C52, R22.

\*\*\* Remove the resistors of 0.22 M $\Omega$  and connect the diodevoltmeter (D.V.) again across R23.

\*\*\* Verwijder de weerstanden van 0.22 M $\Omega$  en sluit de (D.V.) weer aan over R23.







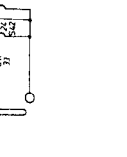
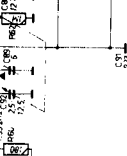
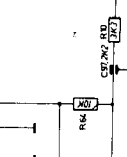
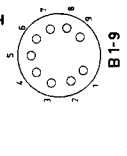
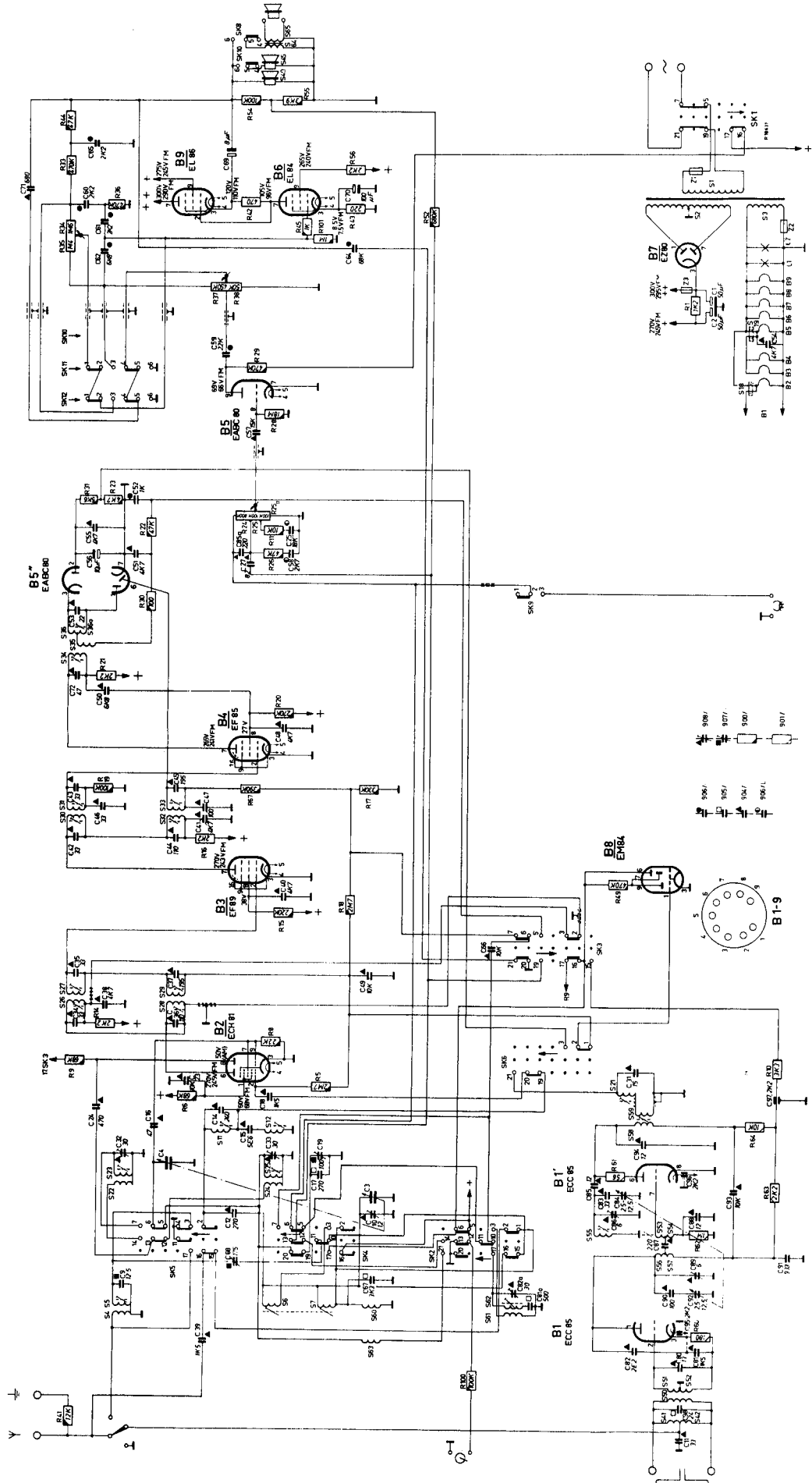
R 17696

Cabinet	Kast	A3 007 11
Knob (1-8)	Knop (1-8)	A3 782 52
Knob (9-10)	Knop (9-10)	P4 077 65/417
Ornamental window	Sierplaat	P5 350 46/159 Kz
Plug, extension loudspeaker	Plug, extra luidspreker	A3 410 65
Voltage adapter-plate	Plaat, spanningsomshakelaar	A3 228 39
Voltage adapter knob	Knop, spanningsomshakelaar	A3 228 85
Driving drum F.M.	Aandrijftrommel F.M.	P4 382 07/779
Variable capacitor A.M.	Afstemcondensator A.M.	49 001 98
Variable capacitor F.M.	Afstemcondensator F.M.	49 002 23
Gear wheel, on spindle tuning	Tandwiel, op as afstemming	P5 450 12/332
Gear wheel, A.M. - F.M.	Tandwiel, A.M. - F.M.	P5 450 11/332
Push button (2-7)	Drukknop (2-7)	P5 420 26/139/F.C.
Push button (11-15)	Drukknop (11-15)	P5 420 23/139/F.C.
Slide strip (14-15)	Schuifstrip (14-15)	A3 666 28
Slide strip (11-13)	Schuifstrip (11-13)	A3 666 55
Contact spring (11-15)	Contact veer (11-15)	971/77
Contact strip (11-15)	Contact strip (11-15)	971/120
Contact blade (11-15)	Contact lip (11-15)	A3 665 27
Window EM 84	Venster EM 84	A3 830 04
Ornamental plate around push button (11-15)	Sierplaat, om drukkноп (11-15)	A3 918 82
Dial, Norway	Schaal, Noorwegen	A3 940 07/321
Dial, Ne-Be	Schaal, Ne-Be	A3 940 07/012

S21 } Z1 } S2 } S3 }	A3 142 84	S26 } S27 } C34 } C35 }	926/10.7	S41 } S42 }	WE 110 61	R21	E 001 AD/A2K2
S4 } S5 }	921/24-52M	S28 } S29 } C36 }	925/452	S60 } S61 } S62 }	A3 803 61 A3 129 09	R24 } R25 } R25a }	B1 639 53
S6 } S7 }	922/03	C37 }		S63 }	A3 804 30	R34 } R35 }	916/GL50K+450K
S11 } S12 } C14 } C15 }	A3 119 70	S30 } S31 } C42 } C43 }	926/10.7	S64 } S65 }	A3 153 36	R37 } R38 }	916/GL400K+1M6
S21 } C31 }	A3 127 83	S32 } S33 } C44 } C45 }	925/452	C1 } C2 }	913/P50+50	R42 } R43 }	E 001 AG/A470E E 001 AX/A220E
S22 } S23 }	923/24-52M	S34 } S35 }		C56 } C69 }	909/E10 911/L8	R56 }	E 001 AG/A2K2
S24 } S25 }	A3 125 99	S36 } S36a } C53 } C72 }	926/10.7 RD	C70 }	AC 8100/125		
		S37 } S38 } S39 } S40 }		R1 } R10 } R14 } R16 }	927/K1K2 E 001 AG/A3K3 E 001 AD/A2K2 E 001 AD/A2K2		

LC/GK

15	212	20515	532	15	61	67	158	55	91	27	21	25	26	27	28	29	30	31	32	33	34	35	36	37	38	39	40	41	42	43	44	45	46	47	48	49	50	51	52	53	54	55	56	57	58	59	60	61	62	63	64	65	66	67	68	69	70	71	72	73	74	75	76	77	78	79	80	81	82	83	84	85	86	87	88	89	90	91	92	93	94	95	96	97	98	99	100
----	-----	-------	-----	----	----	----	-----	----	----	----	----	----	----	----	----	----	----	----	----	----	----	----	----	----	----	----	----	----	----	----	----	----	----	----	----	----	----	----	----	----	----	----	----	----	----	----	----	----	----	----	----	----	----	----	----	----	----	----	----	----	----	----	----	----	----	----	----	----	----	----	----	----	----	----	----	----	----	----	----	----	----	----	----	----	----	----	-----



5	65 61	60 62	85 71	80 68	84 75	51 58	73 74	54 55	70	K	39	D	C	B	A	60	42 41
6	31 30	15 14	13 12	11 10	9 8	7 6	5 4	3 2	1		16	15	14	13	12	11	10
7	15 14	13 12	11 10	9 8	7 6	5 4	3 2	1			17	18	19	20	21	22	23
8	15 14	13 12	11 10	9 8	7 6	5 4	3 2	1			17	18	19	20	21	22	23
9	15 14	13 12	11 10	9 8	7 6	5 4	3 2	1			17	18	19	20	21	22	23
10	15 14	13 12	11 10	9 8	7 6	5 4	3 2	1			17	18	19	20	21	22	23

